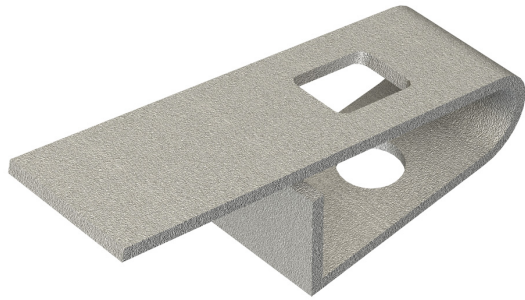


PRODUCT CODE: MP45
CHANNEL BRACKET



DESCRIPTION

Purlin Clip

FINISH

Bright Zinc Plated

MATERIAL

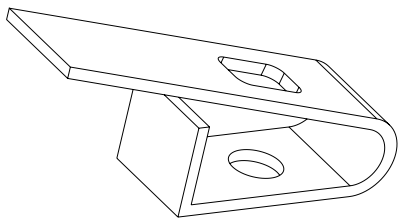
Pressed Steel

PACKAGING

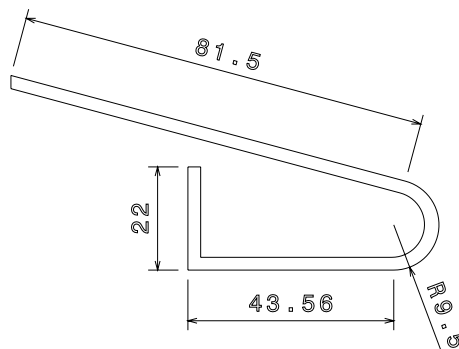
Packed in qty 100

ADDITIONAL NOTES

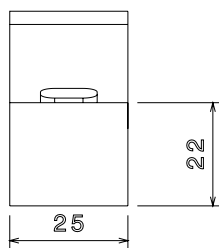
Compliant to LU Standard 1-085 (for use on surface & sub-surface locations)



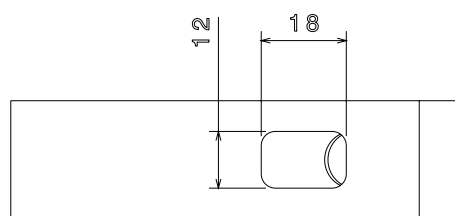
Isometric view



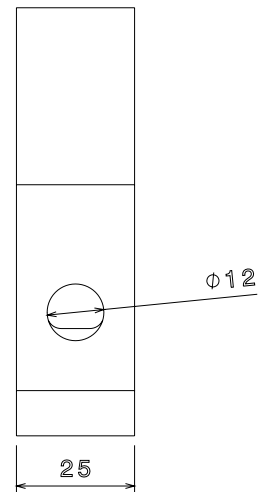
Side view



Front view



Top view



Bottom view